

**Kidde ECS Fire Suppression System
Marine Series
Component Description**



Effective: June 2014

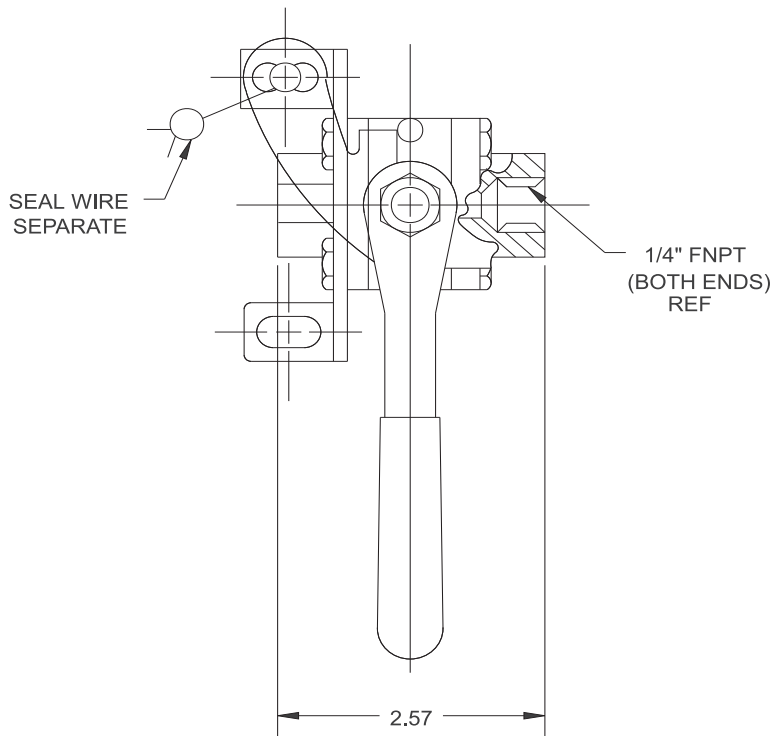
K-90-5060M Rev BA

Ball Valve, 1/4 Inch

FEATURES

- See Kidde® Manual 06-236225-001 for USCG Approval
- **RoHS Compliant**
- For Use in Marine Applications Only

P/N: WK-283888-000



MATERIAL:

Body: Stainless Steel, Type 316
Operating Pressure: 3000 PSIG @ 170°F
Minimum Bursting Pressure: 1000 PSI (680 BAR)

COMPATIBILITY

Series	For Use With
Kidde ECS HFC-227ea	X
Kidde ECS Advanced Delivery FM-200®	X

This literature is provided for informational purposes only. KIDDE-FENWAL, INC. assumes no responsibility for the product's suitability for a particular application. The product must be properly applied to work correctly. If you need more information on this product, or if you have a particular problem or question, contact KIDDE-FENWAL, Inc.

FM-200 is a registered trademark of E.I. du Pont de Nemours and Company. Kidde is a registered trademark of Kidde-Fenwal Inc. All other trademarks are the property of their respective owners.